

## SURGE PROTECTOR

---

The Surge Protector provides increased protection from lightning-induced power surges, power-cross conditions, and ground potential rises that may occur in your system. You may use surge protectors on any system cable: sensor, sensor interface module/junction box-to-console, WeatherLink<sup>®</sup>, etc.

---

**CAUTION:** Please note that we have made every attempt to provide a safe product, but Davis Instruments assumes no liability for any injury or damage caused directly or indirectly by the installation or use of this product.

---

### TOOLS AND MATERIALS NEEDED FOR INSTALLATION

You may need some or all of the following tools and materials to complete your installation.

- ◆ Wire Cutter
- ◆ Wire Stripper or Knife
- ◆ Wrench or #10 Nut Driver
- ◆ Shelter

You should install surge protectors in a location protected from the weather. Davis has two shelters which are ideal for this purpose. The Large Surge Protector Shelter (Product #7769) can house up to 12 surge protectors. The Small Surge Protector Shelter (Product #7768) can house up to 2 surge protectors.

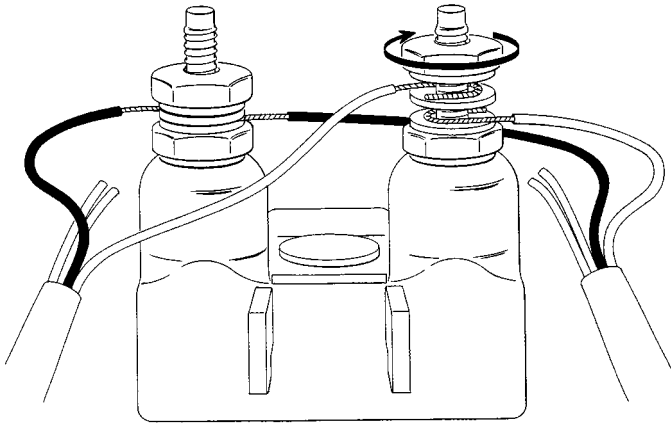
### PREPARING CABLE

If using standard cable, remove the modular connector from the ends of the cable. Strip 1" (25 mm) of jacket (the black outer covering) from the cable. Strip 1/2" (12.5 mm) of insulation (the colored covering) from each wire in the cable. If using shielded cable, strip 1" (25 mm) of jacket (the grey outer covering) and shield (the foil-like inner covering) from the cable. Strip 1/2" (12.5 mm) of insulation (the colored covering) from each wire in the cable.

---

## ATTACHING THE CABLES TO THE SURGE PROTECTOR

1. Pass the cables through the access holes in the base of the shelter being used.  
Consult the shelter's instruction manual for details.
2. Loosen the top hex nut on each post of the surge protector.
3. Place a wire from one cable between the first and second washers as shown below.  
Bend the conductor around the screw post.
4. Place the same colored wire from the other cable between the second and third washers as shown below.  
Bend the conductor around the screw post.
5. Tighten the hex nut until the wires are held securely in place.



ATTACHING WIRES TO SURGE PROTECTORS

6. Repeat this procedure for each wire and each post on the surge protector.

Product Numbers: 7767

Davis Instruments Part Number: 7395-118

Surge Protector

Rev. B Manual (7/8/99)

This product complies with the essential protection requirements of the EC EMC Directive 89/336/EC.

© Davis Instruments Corp. 1998. All rights reserved.

**DAVIS**   
**Davis Instruments**

3465 Diablo Avenue, Hayward, CA 94545 U.S.A.