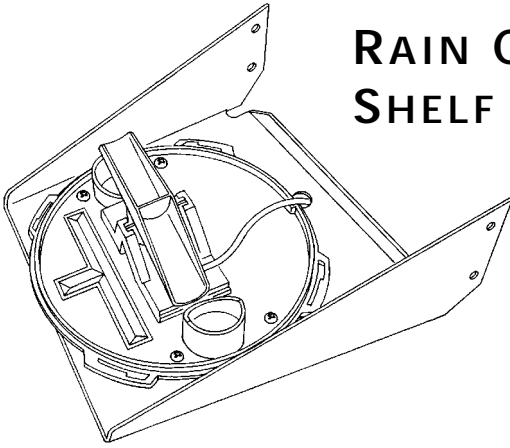


# RAIN COLLECTOR SHELF MANUAL



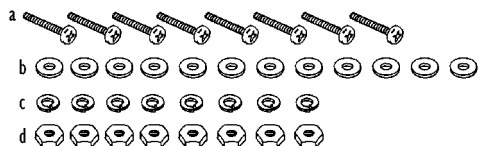
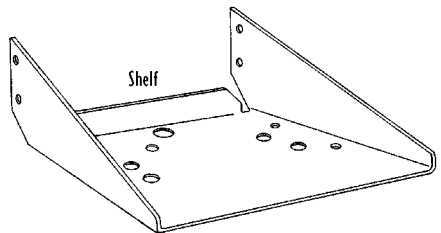
The Rain Collector Shelf provides a good mounting support for your Rain Collector II. The Rain Collector Shelf is designed to be attached to Davis' Sensor Mounting Arm, and all necessary hardware is included to complete this installation. The Rain Collector Shelf may also be adapted, however, for other mounting needs. This instruction manual is designed to take you step-by-step through the process required to install and use your Rain Collector Shelf. Please take the time to read through this manual before beginning the process.

## COMPONENTS

The Rain Collector Shelf includes the following components. Please make sure you have all listed components before continuing.

**Note:** The Rain Collector Shelf includes all hardware necessary to mount the shelf onto Davis' Sensor Mounting Arm. If you plan to mount the Rain Collector Shelf without the Sensor Mounting Arm, you will need to supply some extra hardware (see "Tools and Materials Needed" on page 2).

- ◆ Shelf
- ◆ Installation Hardware Kit
  - a. Eight #8-32 x 3/4" (19 mm) Screws
  - b. Twelve #8 Flat Washers
  - c. Eight #8 Split Lock Washers
  - d. Eight #8-32 Hex Nuts



---

## TOOLS AND MATERIALS NEEDED

In addition to the components listed above, you will need some of the following tools and materials. Please be sure you have everything you need before beginning the installation.

- ◆ Medium Phillips Screwdriver
- ◆ Wrench or Pliers

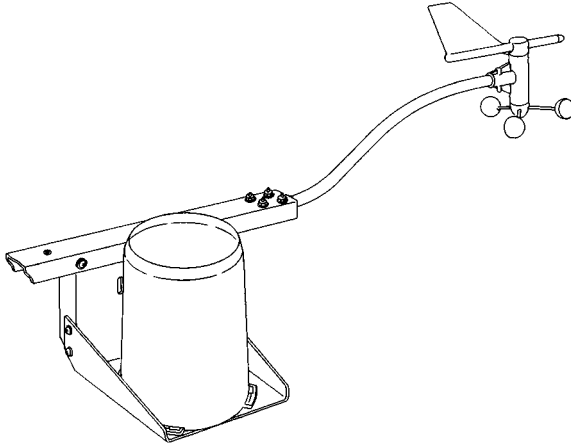
You may need some of the following materials in order to mount the Rain Collector Shelf on a post, wall, or other wooden surface.

- ◆ One Piece of 2"x4" Wood
- ◆ Four Angle Brackets
- ◆ Four Wood Screws
- ◆ Four Lag Screws
- ◆ Adjustable Wrench or 11/32" (9 mm) Wrench or Nut Driver

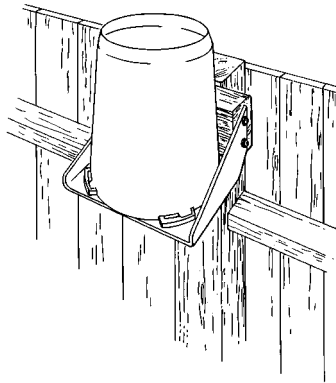
---

## TYPICAL RAIN COLLECTOR SHELF INSTALLATIONS

The illustrations below show two typical Rain Collector Shelf installations. The first shows the Rain Collector Shelf attached to Davis' Sensor Mounting Arm. The second shows the Rain Collector Shelf attached to a wooden post (on a fence in this case).



*RAIN COLLECTOR SHELF ATTACHED TO SENSOR MOUNTING ARM*

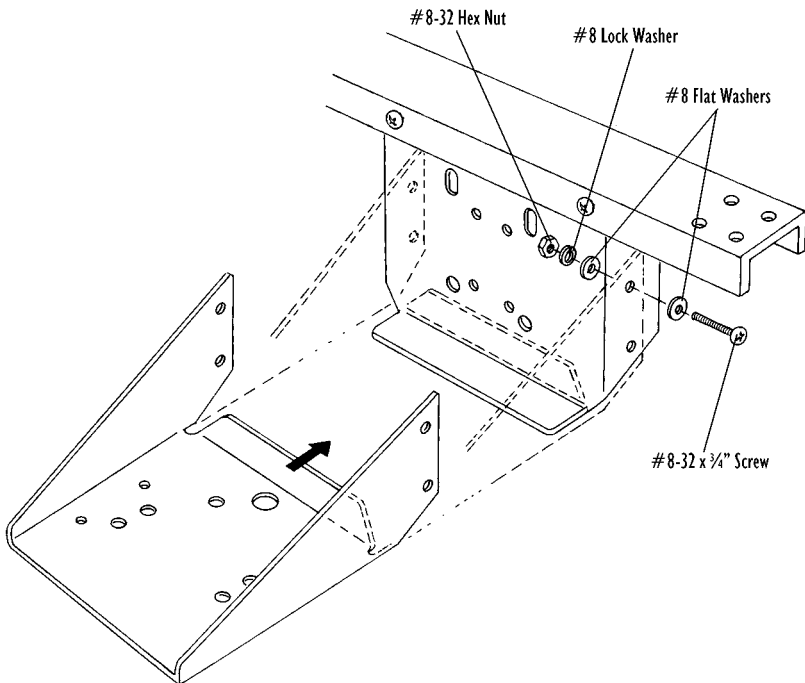


*RAIN COLLECTOR SHELF ATTACHED TO WOODEN POST*

---

## MOUNTING THE SHELF ONTO THE SENSOR MOUNTING ARM

1. Position the shelf so the holes in the sides line up with the holes in the Sensor Mounting Arm's mounting bracket.
2. Place a #8 flat washer over the end of each #8-32 x 3/4" screw.
3. Slide one #8-32 x 3/4" screw (with washer) into each of the four holes on the side of the shelf and through the holes in the Sensor Mounting Arm's mounting bracket.
4. Attach the shelf to the mounting bracket using one #8 flat washer, one #8 split lock washer, and one #8-32 hex nut on each of the screws.  
Tighten until the shelf is securely attached to the mounting bracket.



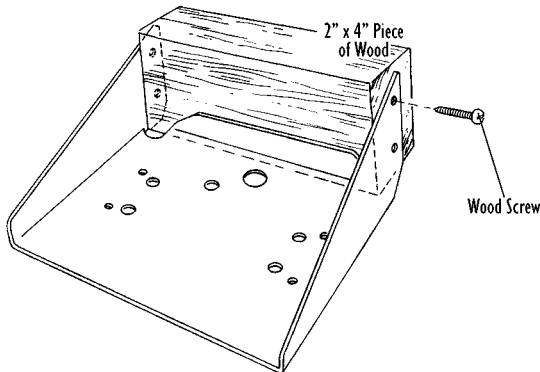
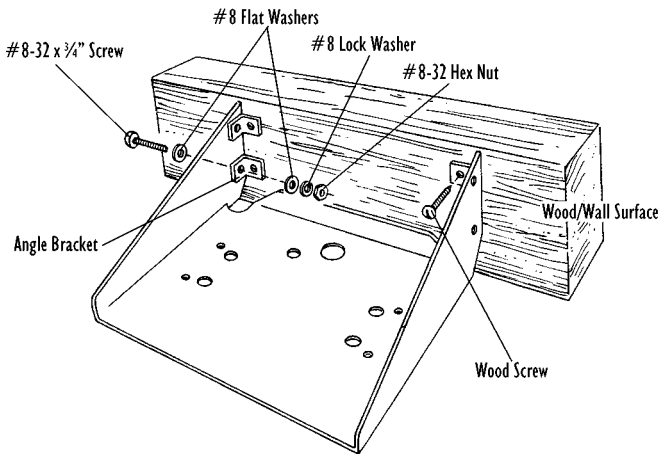
*MOUNTING THE SHELF ONTO THE SENSOR MOUNTING ARM*

---

## MOUNTING THE SHELF ONTO A WALL OR POST

General instructions for mounting onto a wall or a post are included below. You will need to adapt these instructions to meet your needs. The illustration below shows the two basic mounting methods.

1. If necessary, attach angle brackets to the shelf using the #8-32 x 3/4" screws, #8 flat washers, #8 split lock washers, and #8-32 hex nuts provided.
2. Attach the shelf or the angle brackets to the piece of wood or the mounting surface using wood screws.
3. If necessary, fasten the piece of wood (with shelf) to the mounting surface using four lag screws.

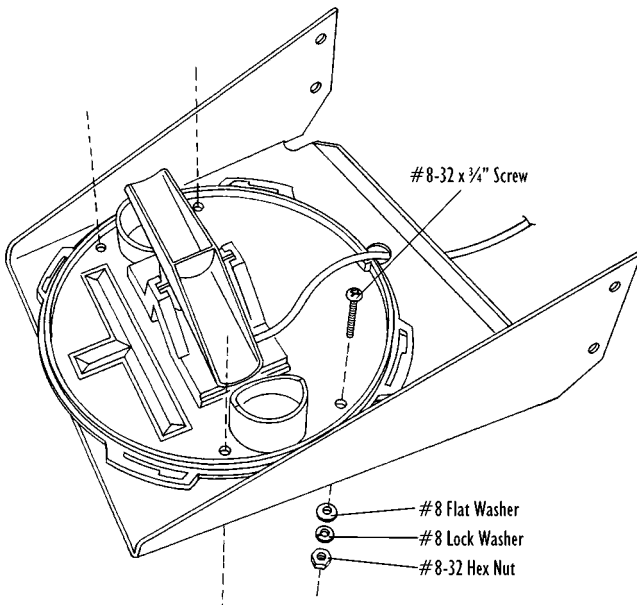


*MOUNTING SHELF ONTO A WALL OR POST*

---

## ATTACHING THE RAIN COLLECTOR II TO THE SHELF

1. Remove the Rain Collector II's cone from the base.  
Consult your Rain Collector II manual for instructions.
2. If necessary, detach the Rain Collector II from its current mounting surface by removing the screws from the base.  
Consult your Rain Collector II manual for instructions.
3. Position the Rain Collector II base on the shelf so the holes on the base line up with the holes in the shelf.  
The four large holes in the shelf are for water runoff.
4. Insert one #8-32 x 3/4" screw into each of the holes.
5. Attach the Rain Collector II base to the shelf using a #8 flat washer, a #8 split lock washer, and a #8-32 hex nut on each of the screws.  
Tighten until the base is securely fastened to the shelf.



ATTACHING THE RAIN COLLECTOR II TO THE SHELF

6. Replace the Rain Collector II's cone.  
Consult your Rain Collector II manual for instructions.

---

## **MAINTENANCE INSTRUCTIONS**

Make certain the water runoff pathways between the base of the Rain Collector II and the shelf remain unobstructed. Periodically check the runoff holes in the shelf to make sure they do not become clogged.

---

Product Number: 7704

Davis Instruments Part Number: 7395-094

Rain Collector Shelf

Rev. B Manual (7/7/99)

This product complies with the essential protection requirements of the EC EMC Directive 89/336/EC.

© Davis Instruments Corp. 1997. All rights reserved.

**DAVIS**   
**Davis Instruments**

3465 Diablo Avenue, Hayward, CA 94545 U.S.A.